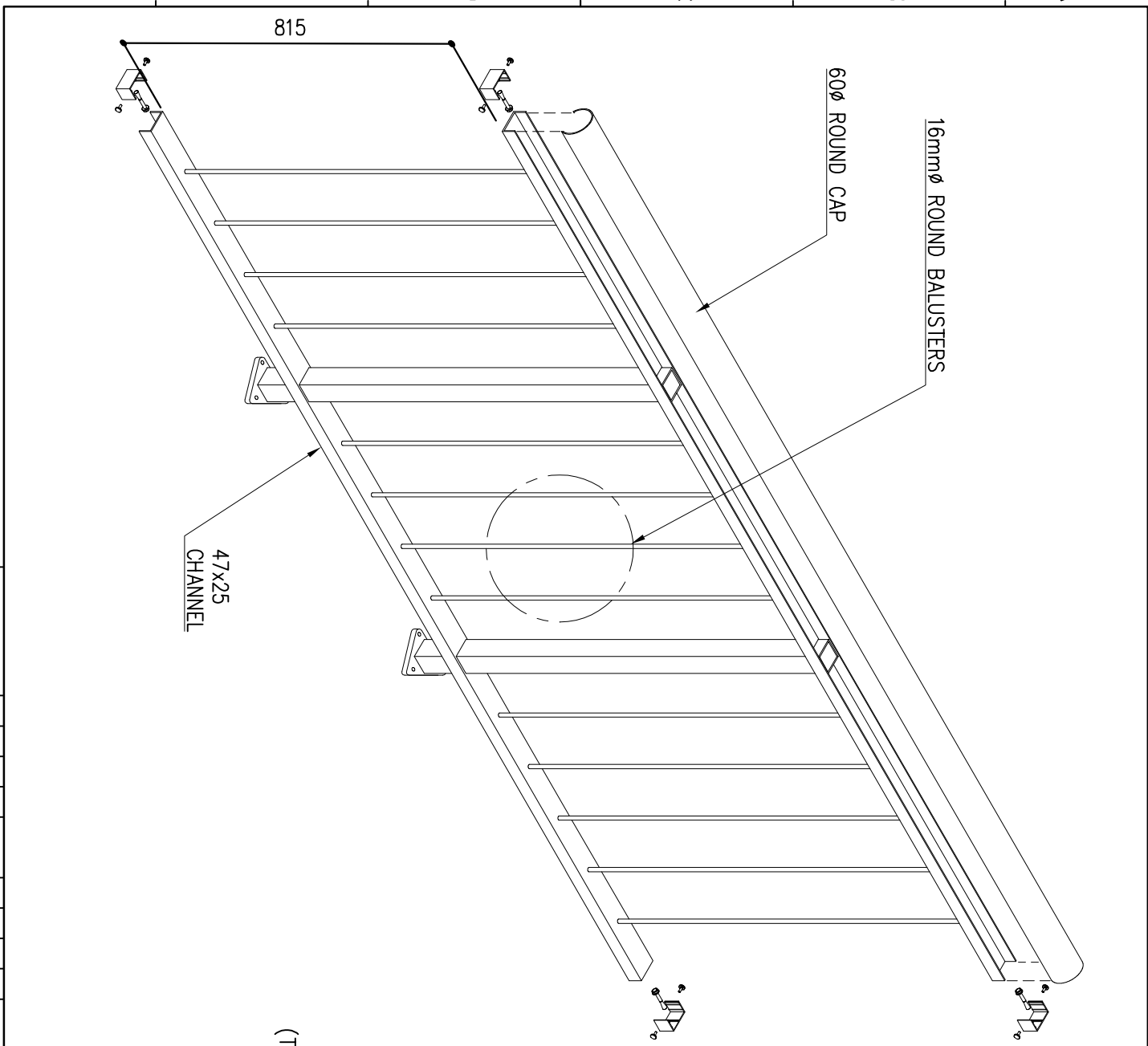
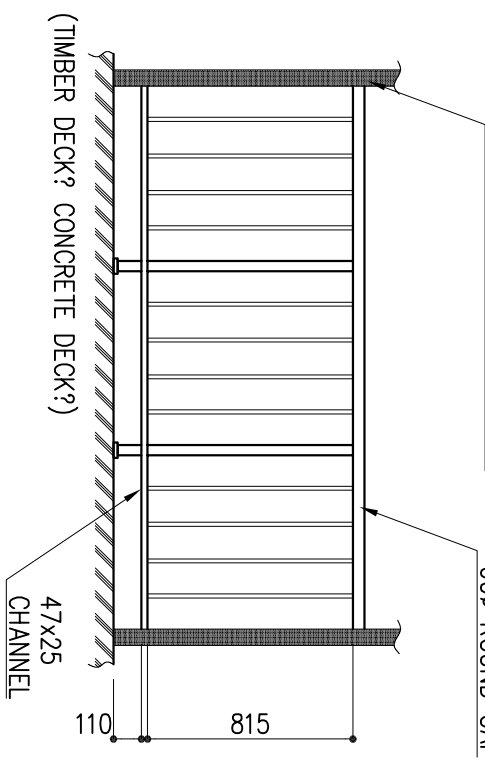


1 2 3 4 5 6 7 8



NOTES	
1.	DESIGN
SYSTEM 40 DESIGN 1	
25.4x46.5 TOP & BOTTOM CHANNEL	
40 SQUARE POST	
16mm ROUND BALUSTERS (OPTIONAL)	
60mm ROUND CAP (OPTIONAL)	
SPIGOT BASE PLATE	
2.	POWDER COAT
AS SPECIFIED	

EXISTING POSTS
CONCRETE? TIMBER? STEEL?
OR SP KING POSTS TO SUIT
BALUSTRADE TOP CAP



PROJECT: **SYSTEM 40 BALUSTRADE**
ILLUSTRATION DRAWING
SCALE: NTS
JOB ORDER: -

SP
glass & aluminium
solutions

LOT 3-5 ALTIOUS ST.
WOREE INDUSTRIAL PARK
WOREE QLD 4868 AUSTRALIA
TEL: (07) 4033 6000
FAX: (07) 4033 6733